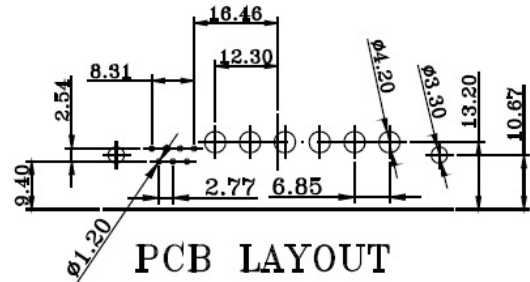
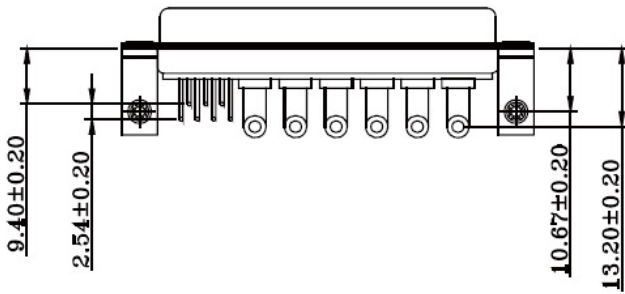
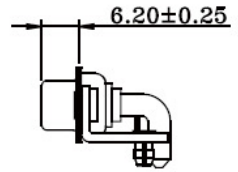
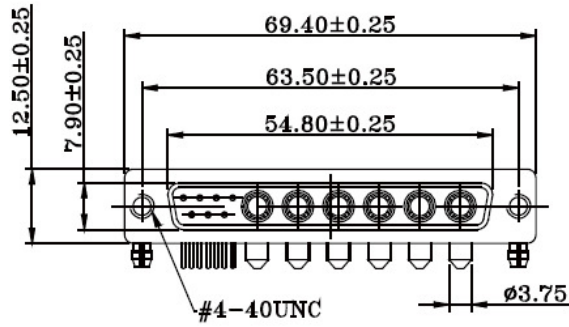
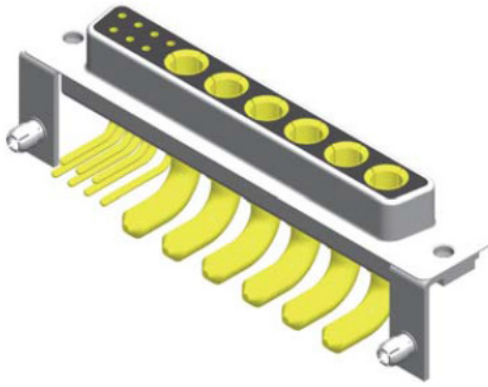
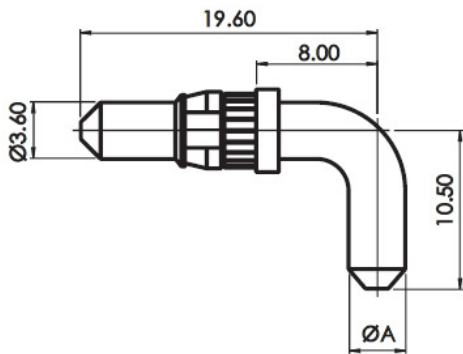


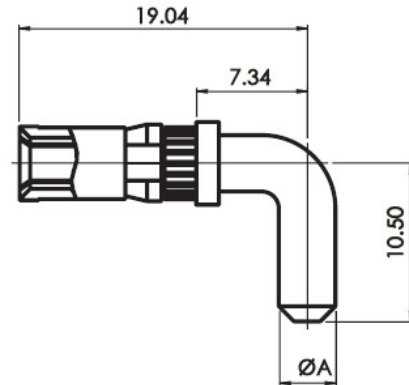
# Power Conn. Right Angle Type



## MALE

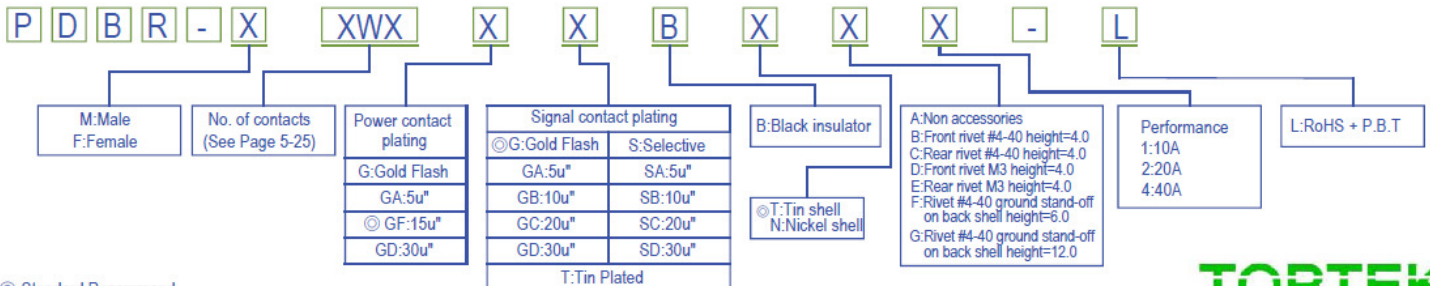


## FEMALE



Current Rating	Dimension (mm) ØA
10A	1.7
20A	2.8
40A	3.75

## ORDER INFORMATION



©: Standard Recommend

**TOPTEK**  
HARDWARE ELECTRONIC COMPONENTS



www.toptek-co.com